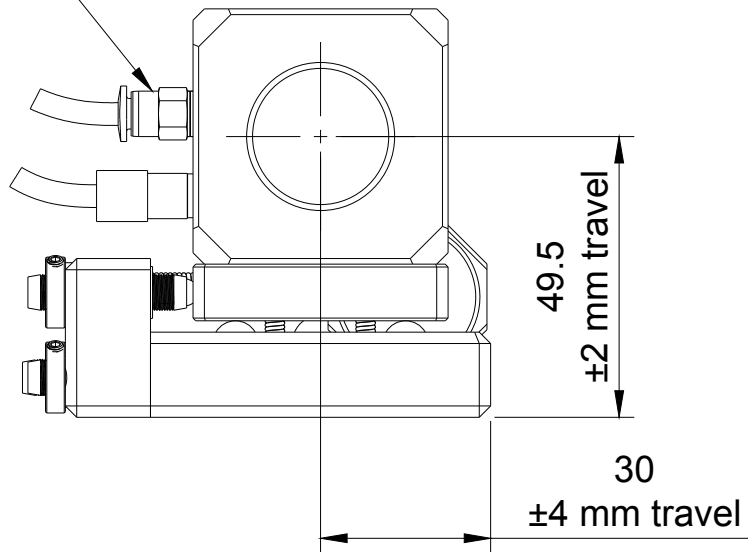
 <b>OPTOGAMA</b>	Finish Anodized Aluminium	Created by Optogama	2023-06-01
	Title Motorised beam expander <b>MEX13 v2</b> 1.0x - 3.0x	DWG No. MEX13v2.3	
	Scale 3:4	A3	Sheet 1/2

1 2 3 4 5 6 7 8

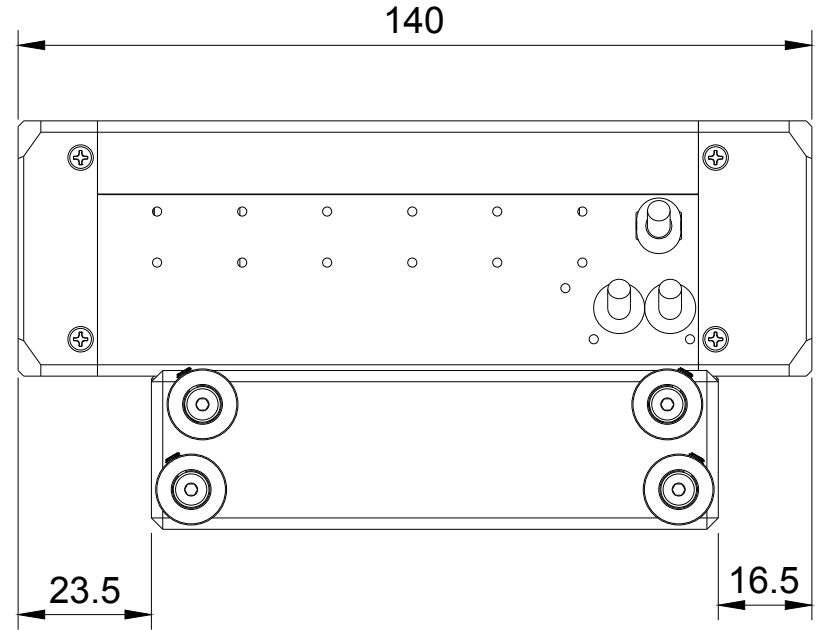
A  
B  
C  
D  
E  
F

Inlet for purging  
UV expander  
(Natural anodized or RAW)  
M5x0.8

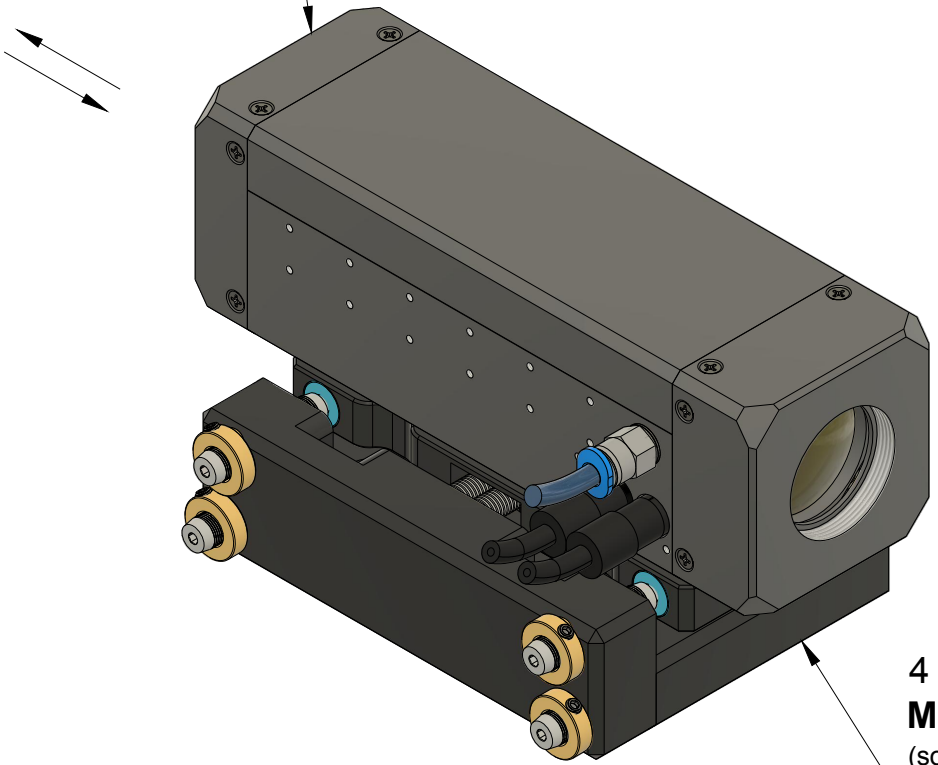
Front view



Side view

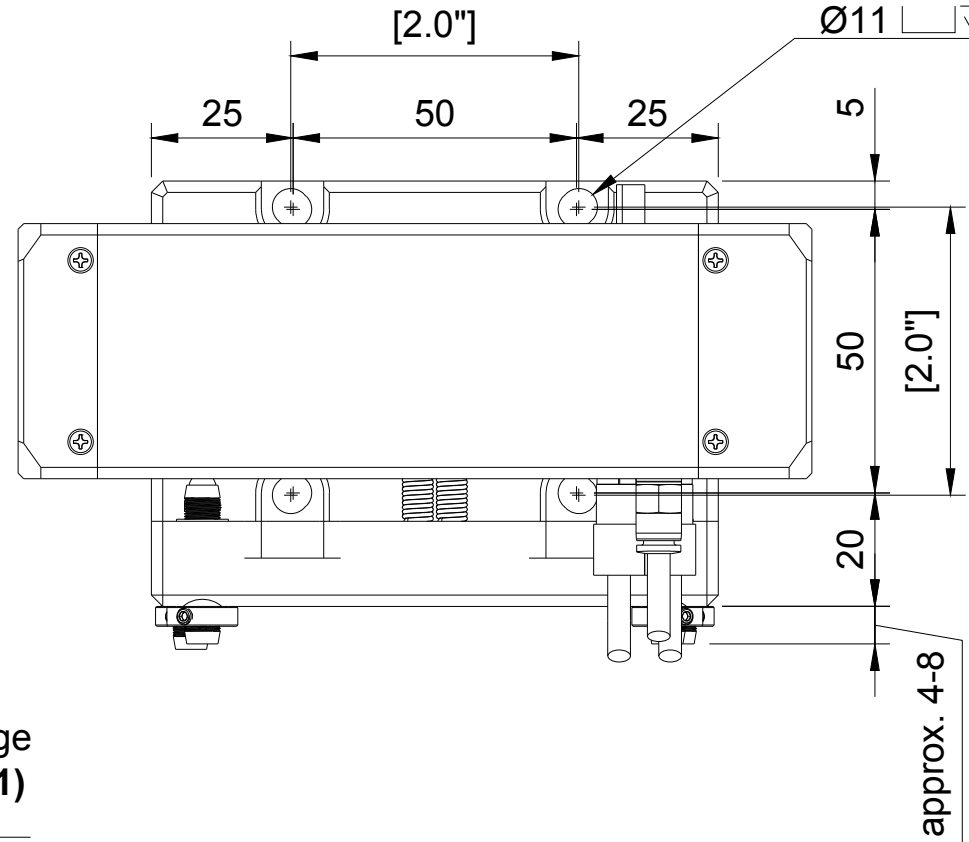


**NOTE:** Motorised expander  
can be mounted in  
both directions



4 axis translation stage  
**MSTAGE (SKU12571)**  
(sold separately)

Top view



4 x Slots for Stage fixing  
(fits M6x1.0 or 1/4"-20 screws)  
6.5 THRU  
Ø11  $\square$  7

**!** FOR INFORMATION ONLY  
NOT FOR MANUFACTURING PURPOSES **!**



Finish Anodized Aluminium	Created by Optogama	2023-06-01
Title Motorised beam expander MEX13 v2 1.0x - 3.0x	DWG No. MEX13v2.3	
Scale 3:4	A3	Sheet 2/2

1 2 3 4 5 6 7 8